

APRIL 2024 HOLIDAY ASSIGNMENT

FORM 1: AGRICULTURE

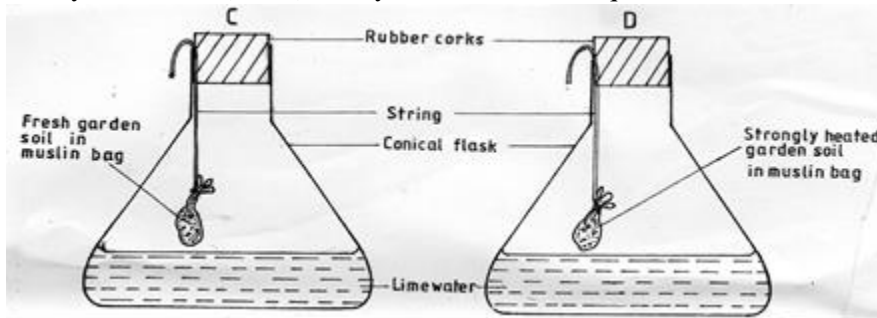
ANSWER ALL QUESTIONS IN THE ASSIGNMENT BOOK

1. State two ways in which agriculture contributes directly to the development of industries.
(2mks)
2. Give the limitations of pastoral Farming.
(2mks)
3. State any two disadvantages of pastoral nomadism system of farming.
(2mks)
4. State two ways by which wind affects the growth of crops.
(2mks)
5. Give two roles of micro-organisms in the soil that are beneficial to crops
(2mks)
6. State three properties of soil that are influenced by its texture.
(3mks)
7. List down the four aspects of rainfall that affect agriculture.
(4mks)
8. Describe the environmental conditions that may lead to low crop yields.
(5mks)
9. Outline three effects of soil organisms which benefit crop growth.
(3mks)
10. State two causes of hard pan in a crop yield.
(2mks)
11. State three benefits of good soil structure in crop production.
(3mks)
12. State one use of each of the following tools;
(2mks)
13. (i) Jembe (ii) Plumb bob
14. List two aspects of light that influence crop growth.
(2mks)
15. State reasons why use of fire in clearing land is discouraged.
(3mks)
16. Outline the main reasons for secondary tillage.
(2mks)
17. State the main benefits of minimum tillage.
(4mks)
18. Name four types of water pumps which can be used on the farm.
(4mks)
19. List two features of plastic pipes a farmer should consider before buying the pipes.
(2mks)
20. State three factors to be considered before deciding on irrigation in crop production.
(3mks)
21. State three advantages of overhead irrigation compared to surface irrigation.
(3mks)
22. State three farming activities which may cause pollution to water sources
(3mks)
23. State four factors that determine the quality of farm yard manure.
(4mks)
24. State four ways by which plant nutrients may be lost from the soil.
(4mks)

25. Give four ways by which soil loses its fertility.
(4mks)
26. State four characteristics that make a crop suitable for green manure.
(4mks)
27. State three factors that determine the quality of compost manure.
(3mks)
28. State four characteristics of a fertile soil.
(4mks)
29. Name three farming practices which may lead to soil erosion.
(3mks)
30. State three factors which should be considered when siting a compost heap.
(3mks)

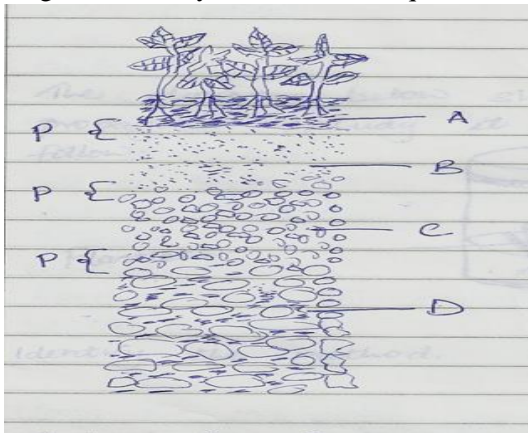
31. State four reasons for keeping health records in livestock production.
(2mk)

32. The diagram below shows a set of an experiment to study an aspect of soil. The set up was left undisturbed for twenty four hours (24hrs). Study it and answer the questions that follow.



33.
 - (a) What was the aim of the experiment?
(1mk)
 - (b) State one observation that was made in each conical flasks labeled C and D.
(1mk)
 - (c) Give a reason for each of your answers in (b) above.
(2mks)

34. The diagram below illustrates a feature observed after digging the soil several metres deep Study the diagram carefully and answer the question that follow



35.
 - a) Identify the feature that the diagram above represents in the study of soil
(1mk)
 - b) What is the name given to the part labeled P?
(1mk)

- c) Give a reason why part P is also referred to as layer of accumulation (1mk)
- d) State two ways in which the knowledge of the above feature would be of benefit to farmer (2mks)

36. List the physical weathering agents in soil formation process (4mks)

37. Explain the factors that influence the type of irrigation to be used in a farm (8mks)

38.

39. State two advantages of furrow irrigation (2mks)

40. State four problems associated with water in agricultural production (4mks)

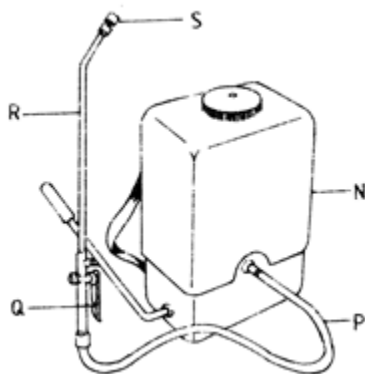
41.

42. Describe ten methods of preventing water pollution (10mks)

43. 44. Give two reasons for carrying out each of the following operations in land preparation: (2mks)

- a) Rolling;
- b) Leveling.

44. 50. Below is a diagram of a knapsack sprayer. Study it carefully and answer the questions that follow:



45.

- a) Name the parts labeled N, P, Q and R. (4mks)

46. b) State one function of the part labeled S. (1mk)

47. Describe the contribution of agriculture to the economic development of Kenya (10mks)

48. Draw and describe the hydrological cycle (12mks)